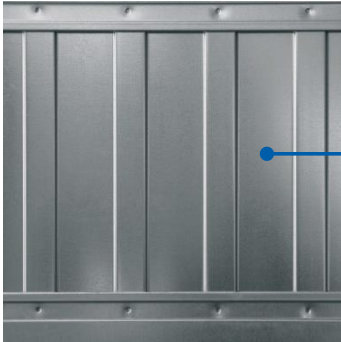
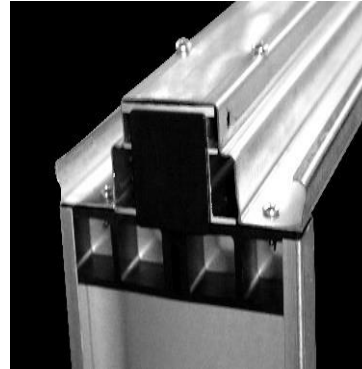


FILMAR QUALITY IN DETAIL



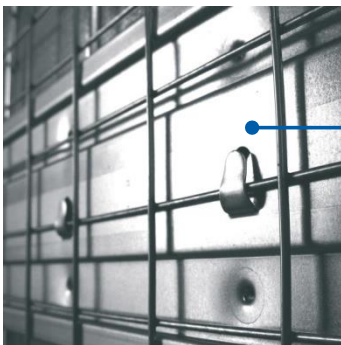
THICK GALVANIZED SHEET

First choice galvanized steel sheet thick and the vertical ribbing of lateral panels give to the entire structure great strength



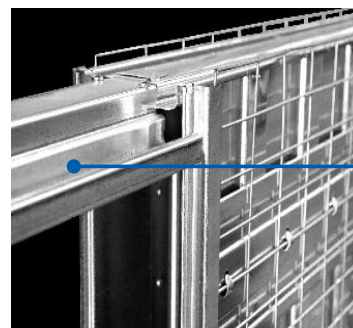
GALVANIZED OVERFLOWING NETWORK

The meched galvanized iron network (30x50mm) guarantees a perfect adherence of the plaster. The network overflow simplify the installation avoiding the attachment of other steel networks and ago by union with the masonry



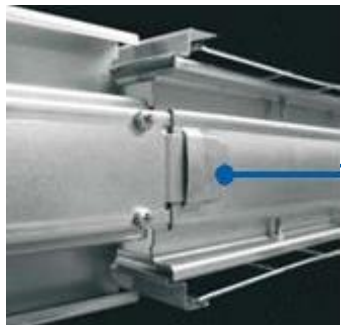
SIDE REINFORCEMENTS

The 12 horizontal reinforcing crosspieces fixed to the side panels con il sistema di clinchiatura with the clinching system, even in plaster and drywall, ensure rigidity and strenght, against lateral pushes generated by plaster maturation.



OMEGA IN ACCIAIO PROFILATA

The aluminium «omega» guide, in which is housed the profile, is entirely made by profiled galvanized sheet.



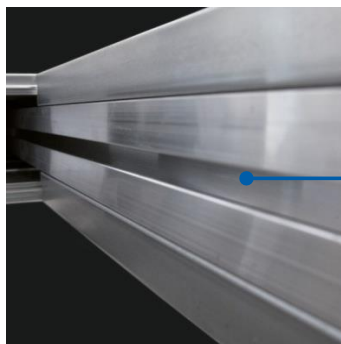
QUICK ASSEMBLY

The snap introduction of the omega, without the use of screws, simplify and speeds up the assembly of the subframe.



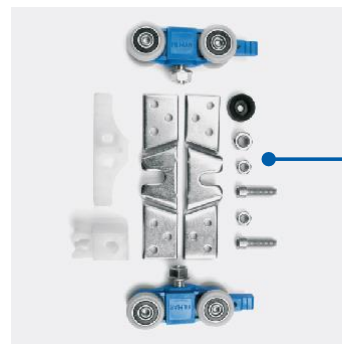
NO WELD

The fins of the horizontal bars allow to attach the plaster-port network, avoiding welding points that may favorit the rust.



BAYONET

The aluminium bayonet guide profile in alluminio simplifes the subframe assembly.



KIT SLIDING CARTS OF 120 KG

For any door is supplied the sliding cart kit of 120 kg standard flow, with wheels that has sphere bearings inside nylon coated for an all time light and quite sliding.



Subframes for hiding and sliding doors

Strada Statale Sannitica km. 13,700 • 80023 • Caivano (NA)
tel. 081.836.00.66 • fax 081.836.04.46 • e-mail filmar.srl@alice.it

Tested by:

